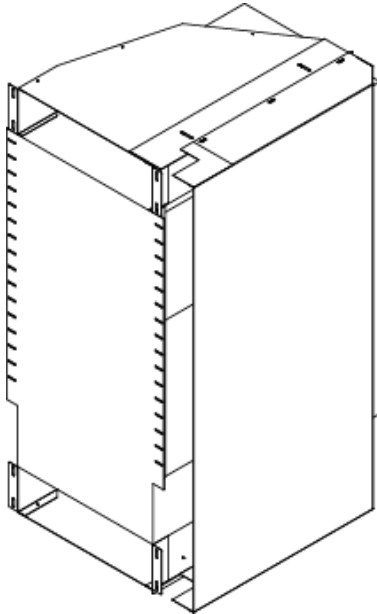


Airflow Director for Juniper Switches



This manual describes how to install an intake airflow director for Juniper rack-mounted switches. Each kit contains a top intake, side intake with seals, bottom intake, and fasteners.

These instructions apply to the following Wright Line item number and switch model:

Item Number	Application
17160076	Juniper Switch EX8216

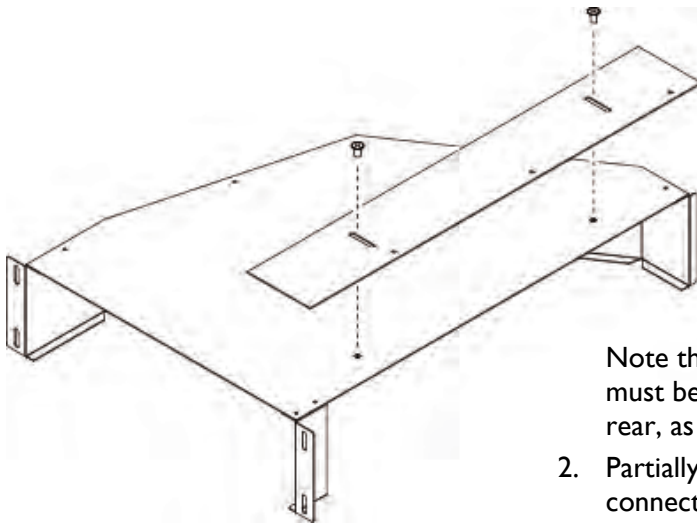
Prerequisites

- A Paramount or Vantage equipment rack or comparable third party enclosure.
- For Paramount and Vantage enclosures, you must remove the center BIP support.
- An installed Juniper switch, with a model number corresponding to the appropriate airflow director.
- Unpack all components.
- Make sure you have common installation tools including a utility knife or scissors and #2 Philips screwdriver.

Assemble top intake and connecting plate

Complete the following steps to assemble the top intake and adjustable connecting plate.

1. Position the connecting plate above the top intake. Align the slots in the connecting plate with the threaded screw holes in the top intake.

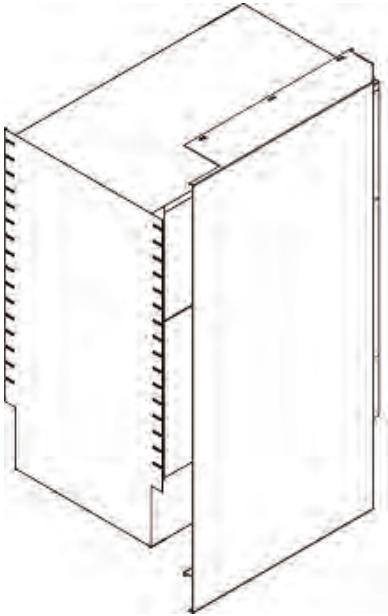


Note that the three screw holes in the connecting plate must be on the right side, with the holes closer to the rear, as shown.

2. Partially insert two 10-24 screws. Do not tighten. The connecting plate must slide during installation.

Install the airflow director

Complete the following steps to install the intake airflow director.

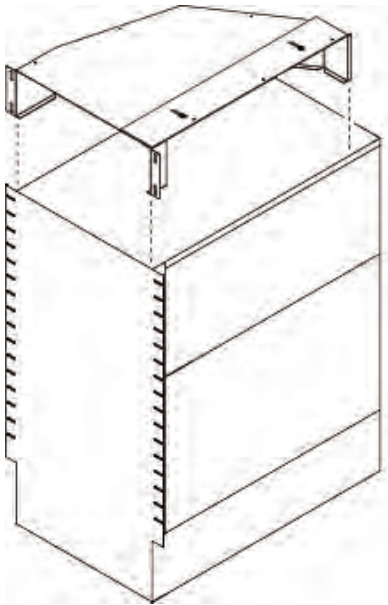


1. Position the side intake next to the switch between the right side rails.

For Paramount and Vantage enclosures, the center BIP support must be removed.

The switch and airflow director cannot be installed inline with the top or bottom BIP supports.

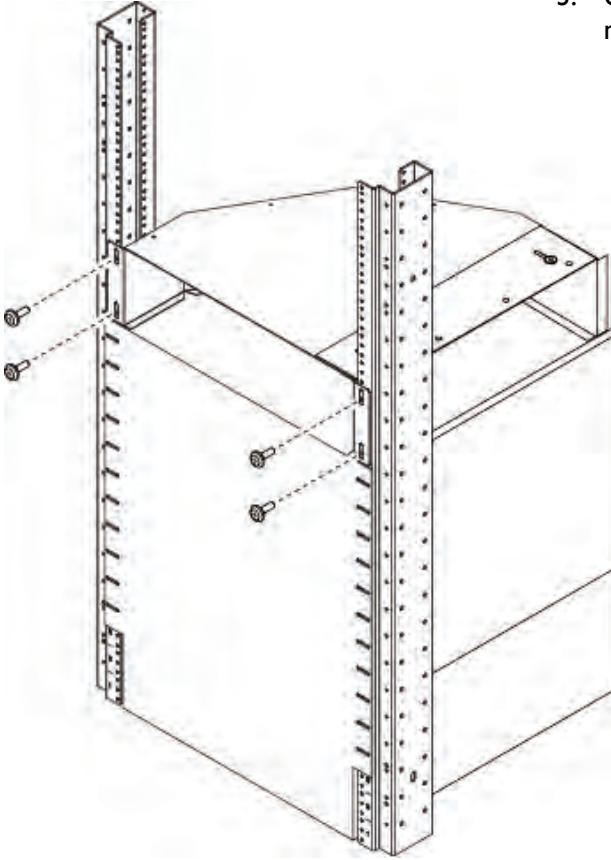
Note: Installing the side intake requires 48 inches of clearance above the switch. If necessary, remove the switch to position the side intake between the right side rails then return the switch to its original location



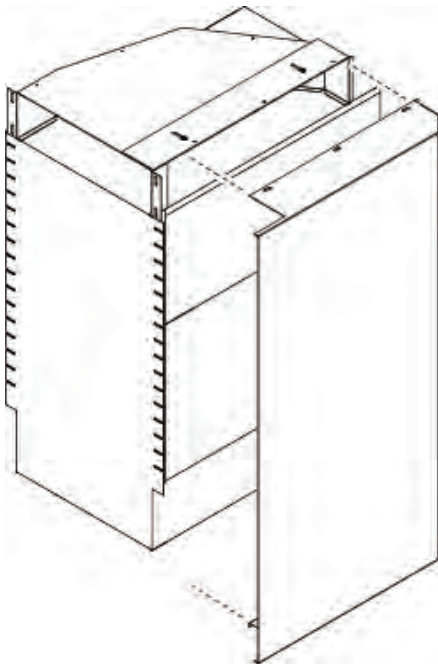
2. Position the top intake assembly on the switch as shown.

Note: This step and all remaining steps must be completed with the switch installed in the enclosure.

3. Using the included fasteners, insert four screws and/or nuts as needed to attach the top intake to the rails.

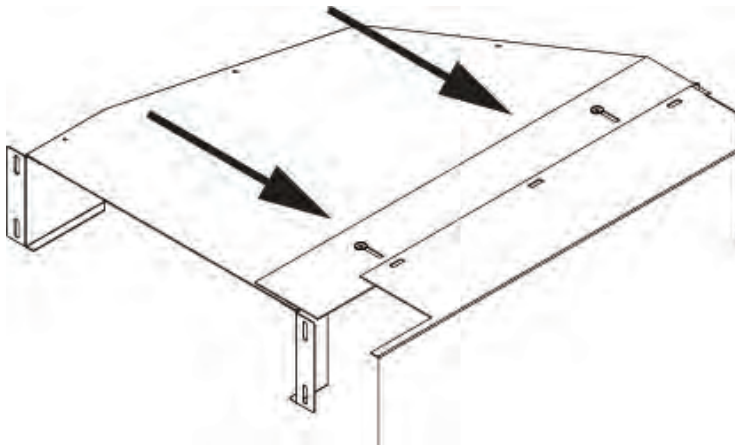


4. Position the side intake so that the switch intake is closely aligned with the side intake of the airflow director.

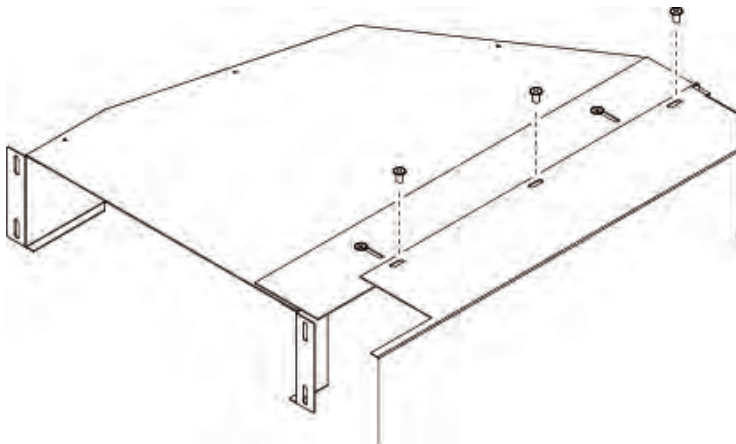


5. Slide the connecting plate under the top of the side intake. Align the slots in the top of the side intake with the screw holes in the connecting plate

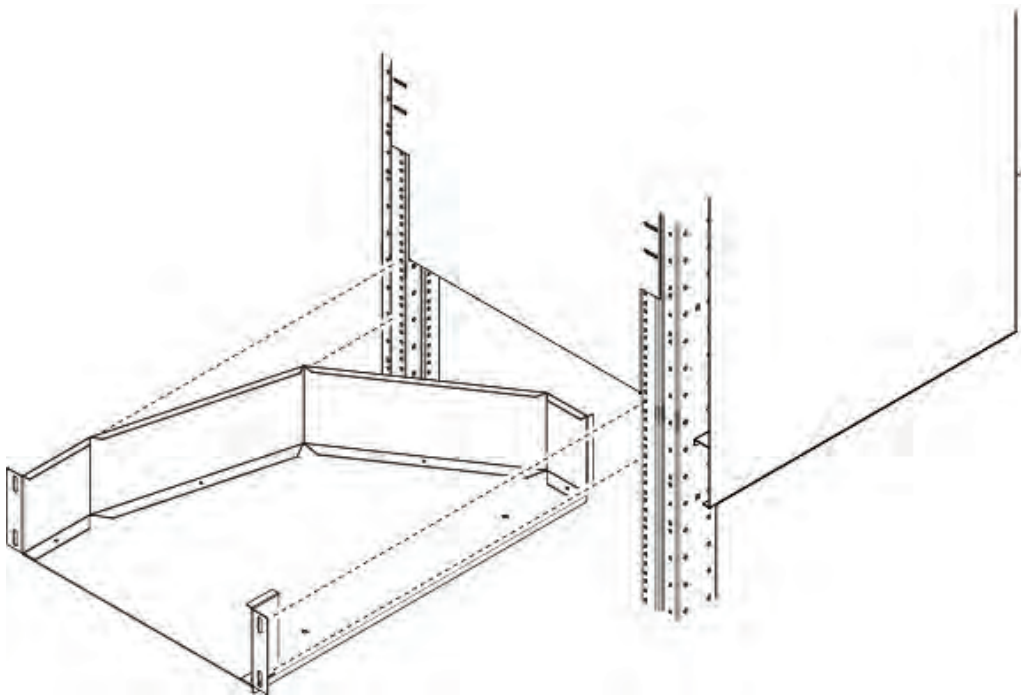
Note: Make sure the connecting plate is below the top of the side intake. The connecting plate provides support for the side intake.



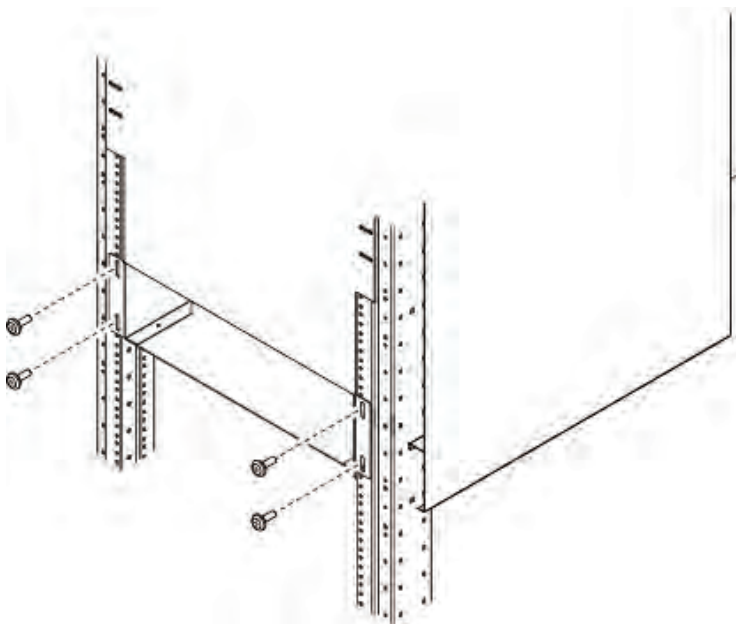
6. Insert three 10-24 screws through the slots on top of the side intake into the connecting plate and tighten.



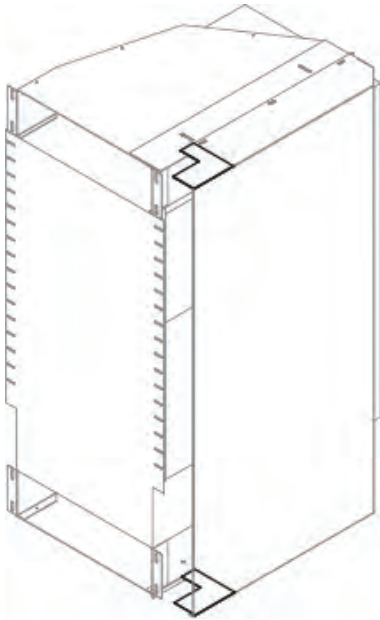
7. Position the bottom intake below the switch as shown.



8. Using the included fasteners, insert four screws and/or nuts as needed to attach the bottom intake to the rails.



9. Adjust the side intake as needed to make the best possible seal with the side of the switch and intakes.
10. Tighten the connecting plate screws.
11. Fabricate the two plastic sheets as needed to form the best seal between the top and bottom of the side intake and the rail. Affix the fabricated seals.



Airflow director installation is complete.