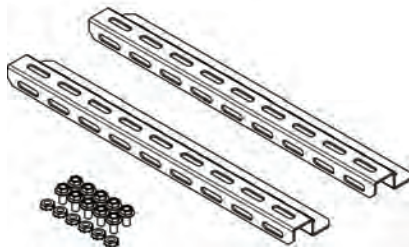


## Installing End of Row Curtain

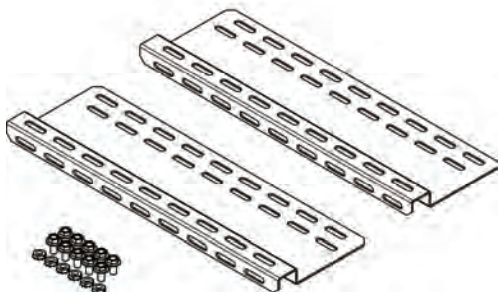
Complete these instructions to install End of Row Curtains on enclosures.

The End of Row Curtain is designed to improve cold aisle containment between rows of existing data center enclosures.

EORCP



EORCV



## Applications

This document applies to the following item numbers:

Item Number	Description
EORCP	End of Row Curtain Mounting Brackets – Paramount 24” and 30” wide Enclosures, Vantage 30” wide Enclosures
EORCV	End of Row Curtain Mounting Brackets – Vantage 24” wide Enclosures
EORC#####A	End of Row Curtain – Angle Bracket*
EORC#####F	End of Row Curtain – Flat Bracket*

\* Where ##### indicates the height and width. For example, EORC9848A indicates a curtain 98” high by 48” wide with an angle bracket; and EORC8472F indicates a curtain 84” high by 48” wide with a flat bracket.

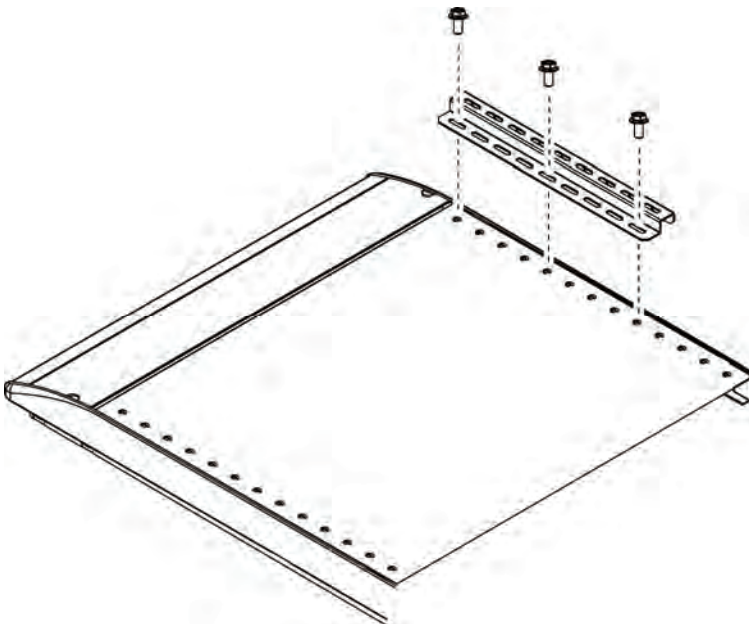
## Prerequisites

- Clear any equipment or cabling that might interfere with the End of Row Curtain.
- Unpack all components of the End of Row Curtain.
- Make sure you have common installation tools including a utility knife, powered driver, hex sockets with extensions, and a #2 Philips screwdriver.

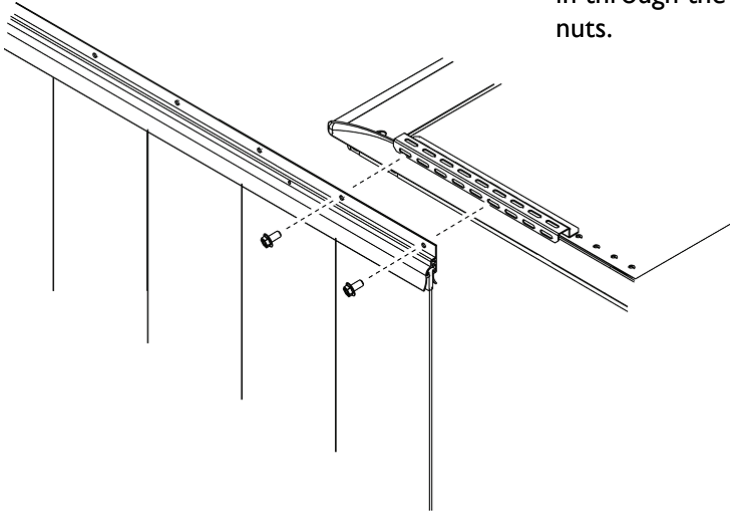
## Install the End of Row Curtain

Complete the following steps to install the End of Row Curtain.

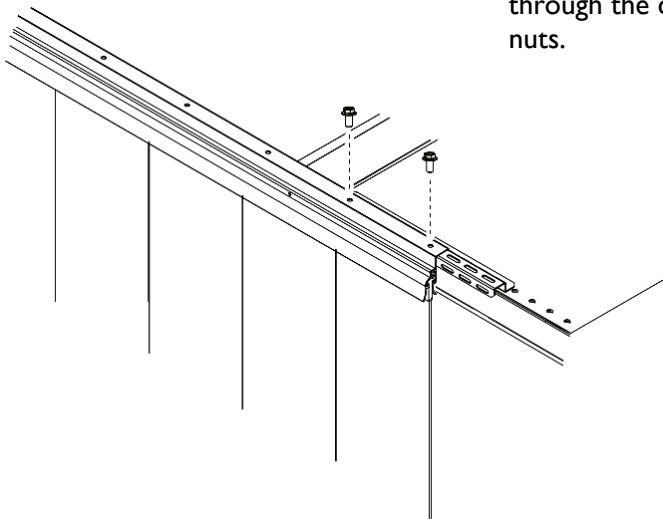
- I. Install the mounting brackets, two per end of row.
  - a. Mock up the brackets and remove any previously installed screws or nuts that interfere with the bottom side of the bracket. Any removed fasteners will be replaced with fasteners included with the End of Row Curtain brackets.
  - b. Make sure the bracket location does not interfere with cable access.
  - c. Insert two (2) or more screws through the bracket into the enclosure.



2. From the end of the aisle, install the curtain assembly by inserting two (2) or more screws per side through the curtain rail through the mounting bracket into lock nuts. For flat curtain brackets, insert screws from the outside in through the curtain and mounting bracket into lock nuts.



For angle curtain brackets, insert screws from above through the curtain and mounting bracket into lock nuts.



3. If needed, use a utility knife to trim the bottom of the curtain. Leave at least one inch extra once reaching the floor, as the curtain can expand and shrink up to one inch due to changes in temperature and humidity.
4. **Optional:** Apply double-sided tape as needed to secure the overlapping curtain panels to the enclosures.

**End of Row Curtain installation is complete.**