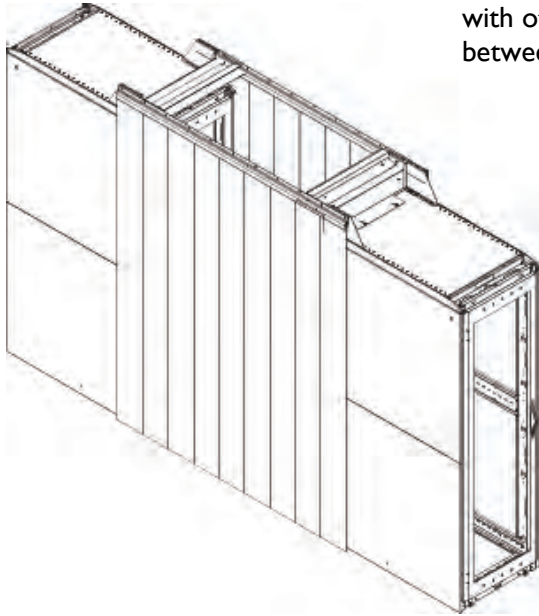


## Installing the End of Row Curtain

Complete these instructions to install the End of Row Curtain.

The End of Row Curtain is designed to work in conjunction with other components to maintain cold aisle containment between rows of existing data center enclosures.



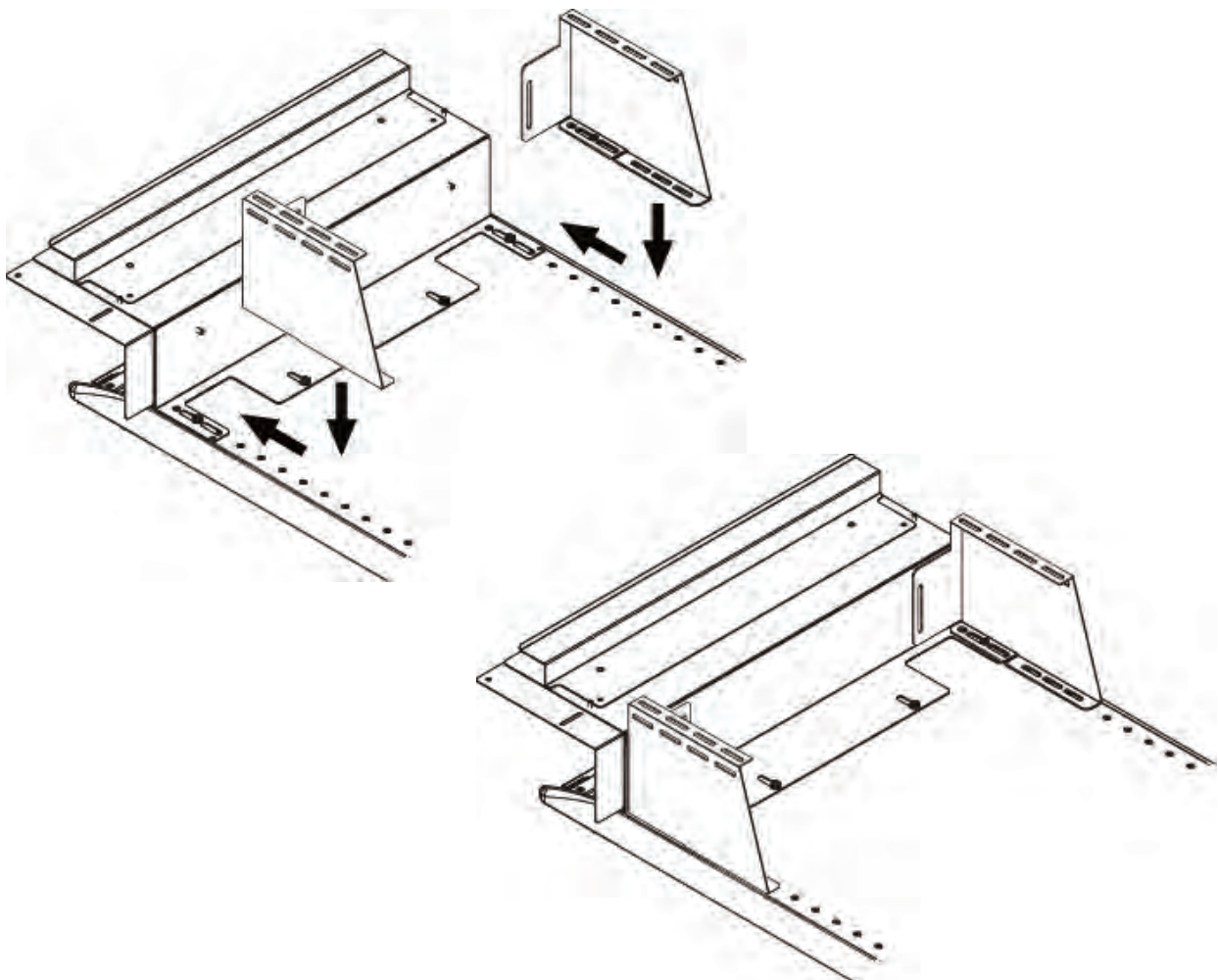
### Prerequisites

- Clear any equipment or cabling that might interfere with the End of Row Curtain.
- Unpack all components of the End of Row Curtain.
- Make sure you have common installation tools including a utility knife, powered driver, hex sockets with extensions, and a #2 Philips screwdriver.

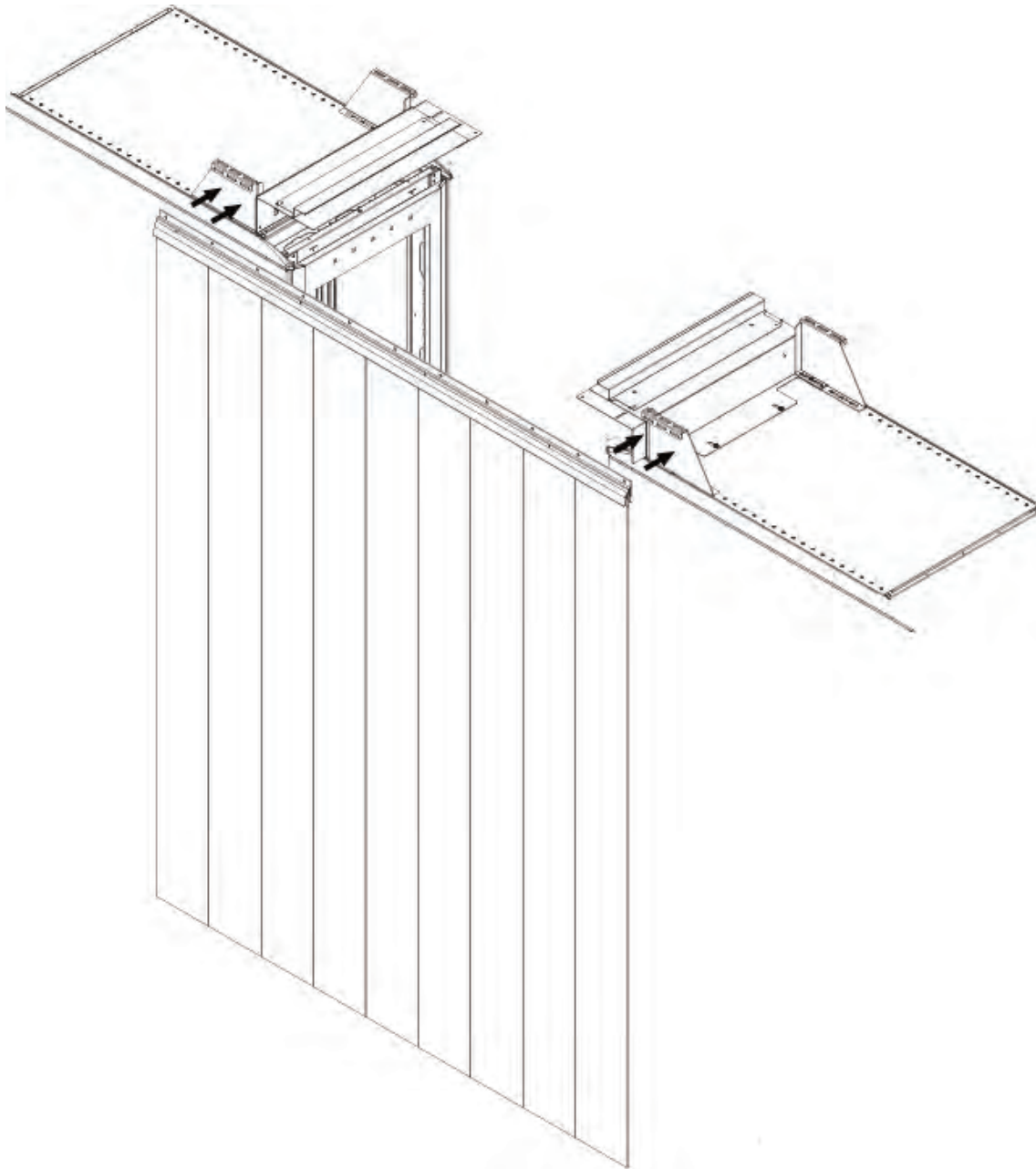
## Install the End of Row Curtain

Complete the following steps to install the End of Row Curtain.

- I. Install the End of Row Curtain Brackets, two per end of row.
  - a. Mock up the brackets and remove any previously installed screws or nuts that interfere with the bottom side of the bracket. Any removed fasteners will be replaced with fasteners included with the End of Row Curtain brackets.
  - b. Insert two or more screws through the bracket into the enclosure. One or more screws must replace any removed screws securing the ceiling riser bracket.
  - c. The vertical slot in the bracket flange fits around the existing bolt extending through the ceiling bracket and riser bracket. Attach a nut to the existing bolt and tighten.



2. From the end of the aisle, install the curtain assembly by inserting three or more screws per side through the curtain rail into the bracket. Attach nuts and tighten.



**End of Row Curtain installation is complete.**