

Optimedia® INSTALLATION INSTRUCTIONS

4" Roll-out Front

Please read these instructions carefully and follow the installation steps in sequence.

The 4" roll-out front consists of two pieces: the front panel and a slotted inner panel. Make sure the three small mounting holes in each piece are aligned.

1. Pull the roll-out drawer all the way.
Place the 4" roll-out front at the front of the drawer and align its three bottom mounting holes with the holes in the drawer. Using a phillips screwdriver, attach the 4" roll-out front to the drawer from underneath with three screws (see Figure 1). Then attach each end with a screw.
2. To remove the 4" roll-out front, remove all the screws.

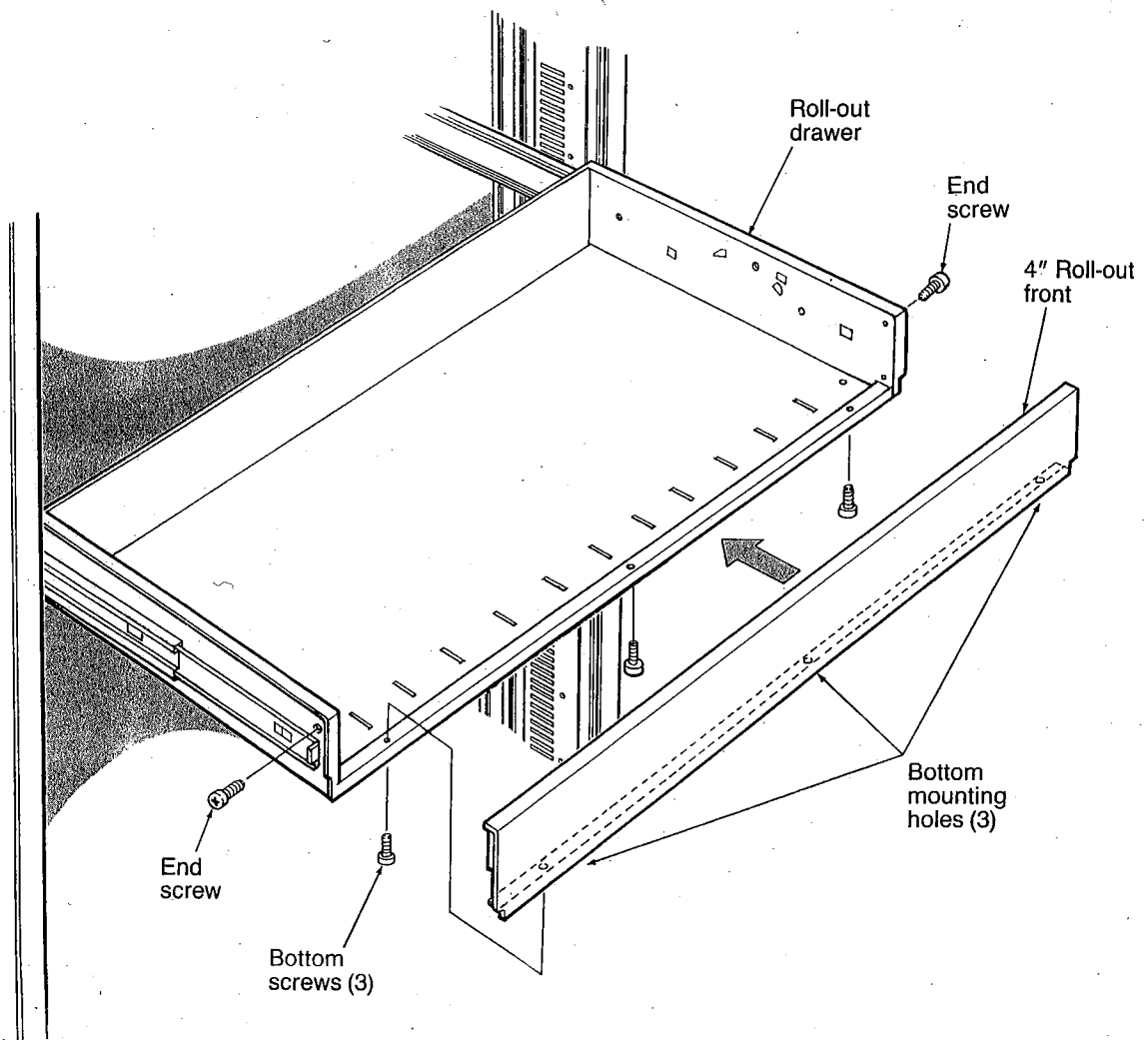


Figure 1. 4" Roll-out front installation