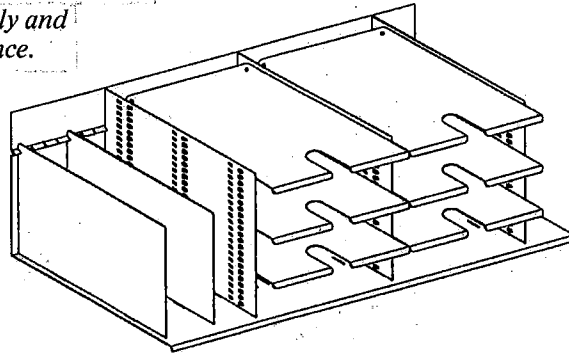


Optimedia® INSTALLATION INSTRUCTIONS

Adjustable Organizer

Please read these instructions carefully and follow the installation steps in sequence.



File Insertable
(C53200 shown)

1. Attach Bumpers to each corner of the underside of Base Shelf (see Figure 1).
2. Shelf Supports fit into the slots in the bottom and rear of the Base Shelf. After determining where you wish to place horizontal shelves, insert one Shelf Support into the Base Shelf (see Figure 2).
3. Locate the Locking Shelf (this shelf has vertical tabs). Insert the tabs into the Shelf Support loops (see Figure 3). Using the Locking Shelf as a guide, install a second Shelf Support (see Figure 3).

NOTE: The Locking Shelf can be installed anywhere in a shelf stack, but should be located near the top.

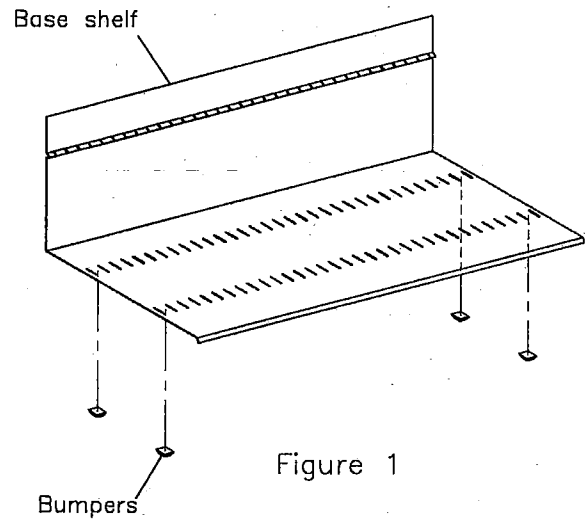


Figure 1

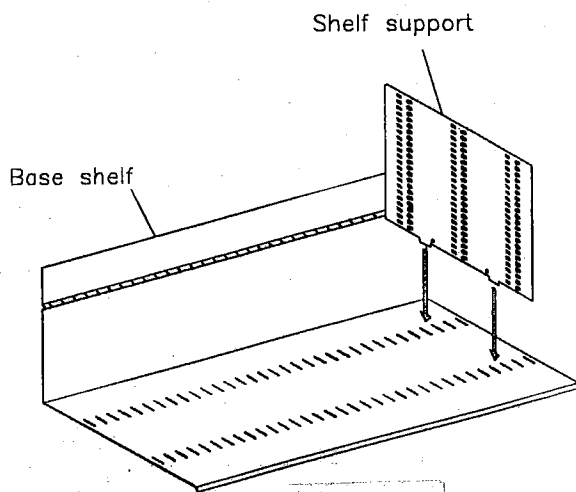


Figure 2

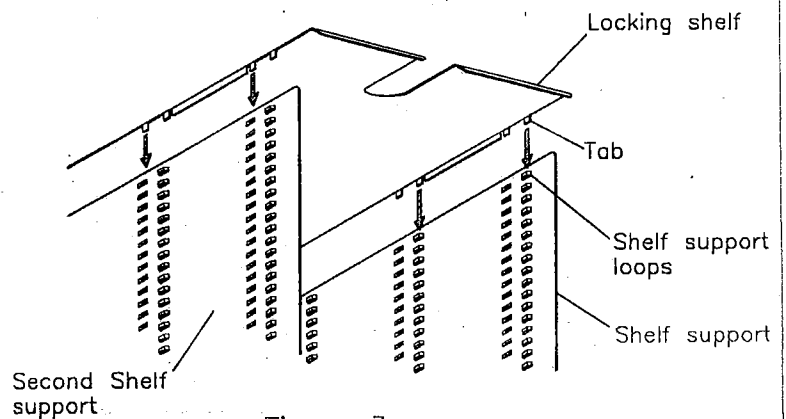


Figure 3