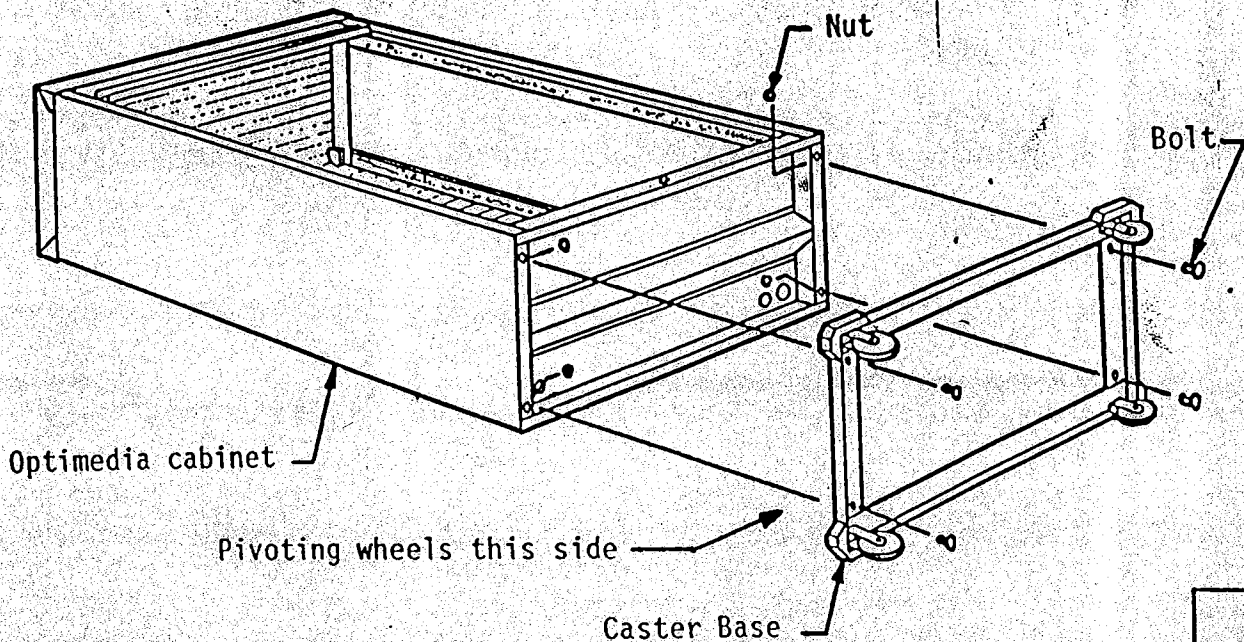


INSTRUCTIONS

OPTIMEDIA® CASTER BASE

Read instructions fully. The only tool required is a Phillips Head screwdriver.

1. Open cabinet door. Carefully lay cabinet on it's back. Remove the 4 1" dia. plastic glides.
2. Position base against cabinet. Use 1/2-20 nuts and bolts. Make certain pivoting wheels are positioned as shown.
3. Place cabinet in upright position.



SHEET NO. 69021
PAGE 1 OF 1
ISSUE DATE 4/27/88
REVISION DATE