

Divider Kit

Please read these instructions carefully and follow the installation steps in sequence.

The Divider Kit installs into a 4" roll-out drawer with a front.

1. Pull the roll-out drawer all the way out. See Figure 1.
2. Place the long dividers into the 4" roll-out, with the slots facing up. See Figure 1.
3. Install 1 short divider with the slots facing down.
 - A. To separate the roll-out into 4 compartments front to back, use 3 long dividers and insert them in the 1st, 3rd and 5th slots in the short dividers. See Figure 2.
 - B. To separate the roll-out into 3 compartments front to back, use 2 long dividers and insert them into the 2nd and 4th slots in the short dividers. See Figure 2.
4. Install the remaining short dividers the same way as the first one, to complete the assembly. See Figure 3.

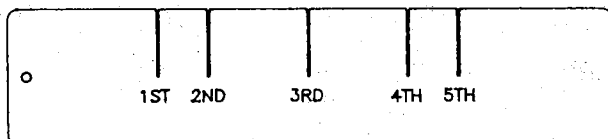


Figure 2. Short Divider

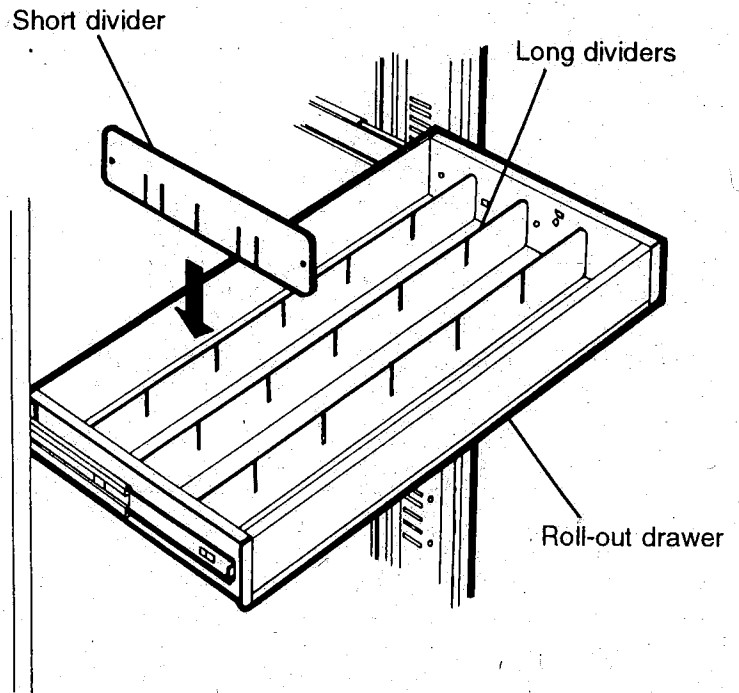


Figure 1. Long Divider Installation

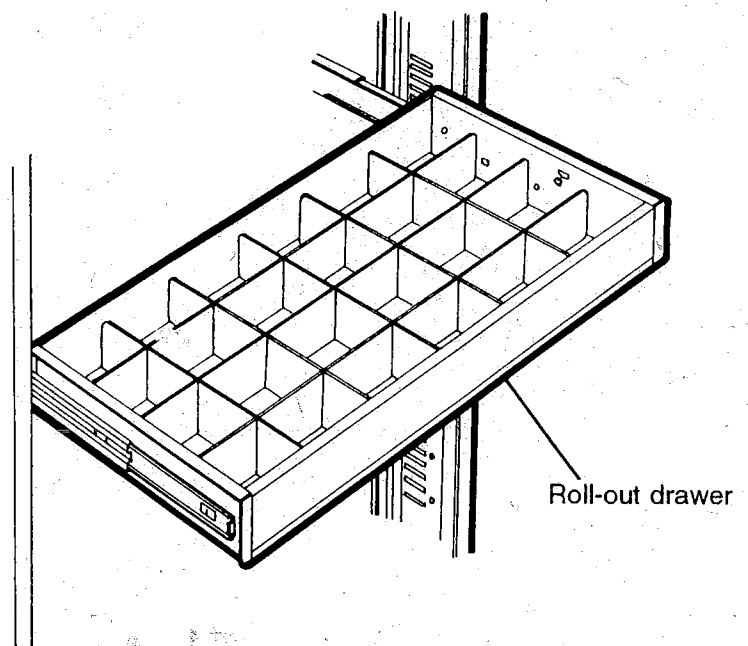


Figure 3. Short Divider Installation