

## Optimedia®

## INSTALLATION INSTRUCTIONS

### Fixed Shelves

This instruction sheet covers the following components:

- Standard Fixed Shelf
- Heavy Duty Fixed Shelf
- Lateral Fixed Shelf

*Please read these instructions carefully and follow the installation steps in sequence.*

#### SHELF INSTALLATION (for Standard, Heavy Duty or Lateral Fixed Shelves)

Maximum Loads, Uniformly Distributed:

- Standard Fixed Shelf — 100 lbs
- Heavy Duty Fixed Shelf — 150 lbs
- Lateral Fixed Shelf — 100 lbs

**CAUTION:** *Improper use or dropping of heavy material onto a shelf can cause damage.*

1. A fixed shelf must be located a specified distance above the nearest component or any media stored below it (see Figure 1).

Locate the appropriate slots in the uprights for mounting the two shelf end brackets. *Make sure all the slots are at the same level.* Use the counting holes in the uprights as a guide when counting slots for spacing. *Note: All the slots are 1/4" apart; the counting holes are 2" apart.*

2. Start at either side of the cabinet with either shelf end bracket (they are the same). Hold it horizontally and insert its two offset tabs into the slots in the uprights (see Figure 2). Then let it pivot downward and hang vertically. Install the other shelf end bracket the same way.
3. Next install the shelf (see Figure 3). Tilt the rear of the shelf up approximately 30° and engage the slot under its front edge with the front hook on each end bracket. Then push the shelf toward the rear of the cabinet and lower it to a horizontal position.
4. To remove a fixed shelf, reverse the above installation procedure.

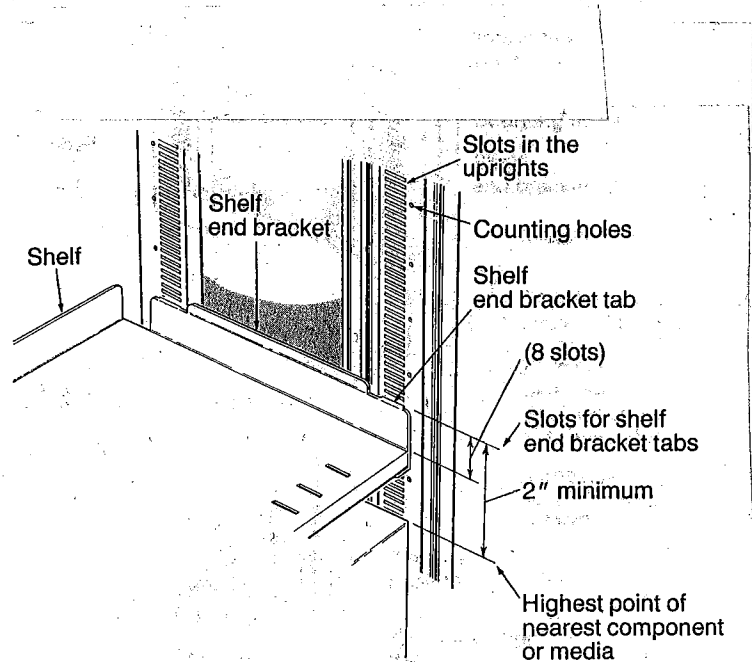


Figure 1. Shelf locating

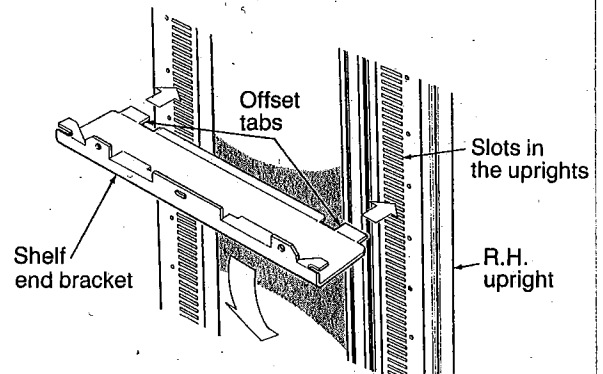


Figure 2. Shelf end bracket locating

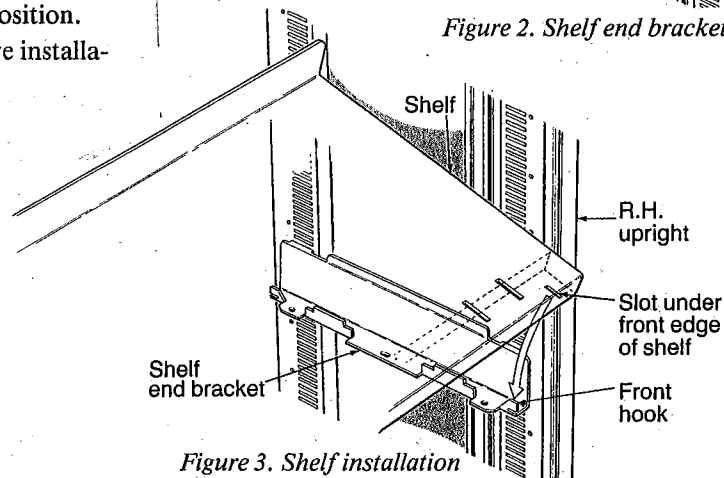


Figure 3. Shelf installation

(continued)