

Optimedia®

INSTALLATION INSTRUCTIONS

Modular Bin Drawers

Please read these instructions carefully and follow the installation steps in sequence.

THESE INSTRUCTIONS ARE FOR THE FOLLOWING PRODUCTS:

- UM11-RP Universal Roll-out Shelf
- UT11-RP Transition Roll-out Shelf
- UM75-RP Drop File Roll-out Shelf
- UM14-RP 12" Bin Drawer
- UM20-RP 15" Bin Drawer
- UO47-FP Center Rails for Front-to-back Filing

PLEASE NOTE:

1. Some file drawer accessories may not be used in combination with one another.
2. Some of the following instructional information may not pertain to all of the above listed products.

SIDE EXTENDERS

15" Bin Drawers (item number UM20-RP) require side extenders to increase the filing height of the drawer sides. To assemble the extensions, position them as shown in figure 1 and secure each side with three #10 phillips head self tapping screws. (The screws must be assembled from inside the drawer.)

BIN DRAWER FRONT

12" and 15" Bin Drawers (item numbers UM14-RP and UM20-RP) require a solid front panel. To assemble the panel first hook the panel's bottom flange under the drawer handle and then pivot the panel to a vertical position. Secure the panel by installing either two or three (depending on the drawer size) #8 phillips head self tapping screws into each side. See figure 2.

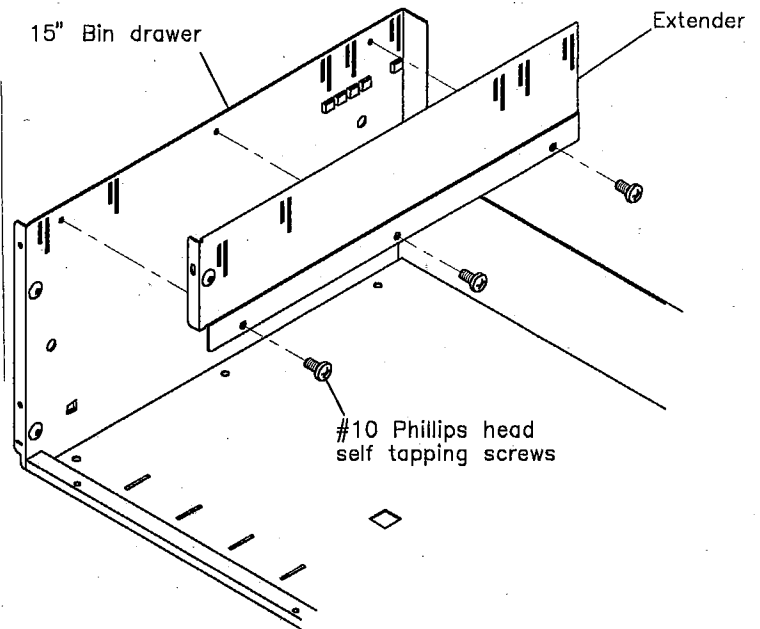


Figure 1

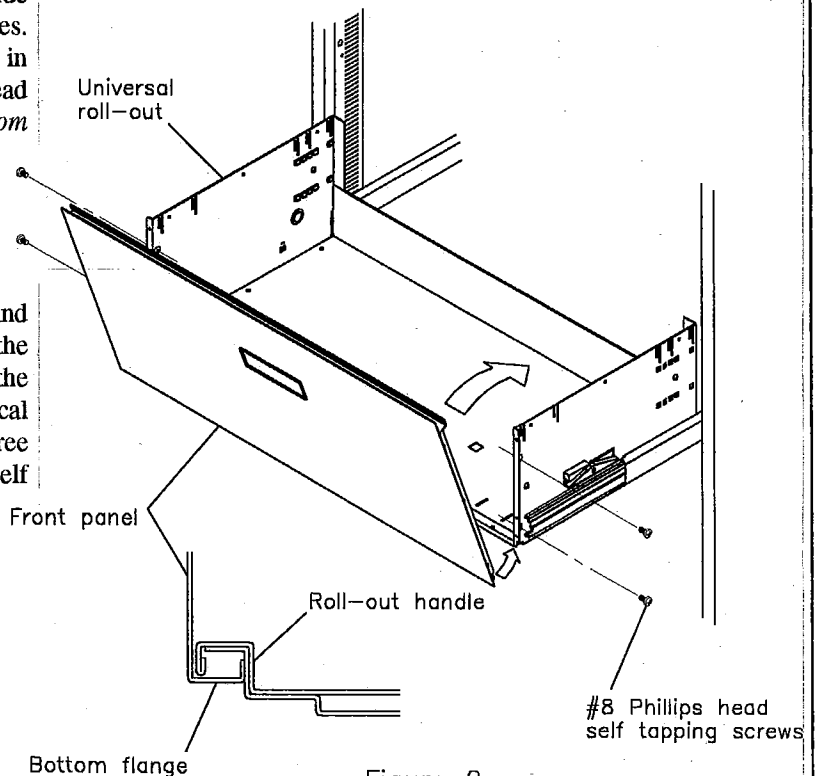


Figure 2

LATERAL FILE BARS

(UM14-FP and UM20-FP Bin Drawers require only one lateral file bar at the back of the drawer. The lip of the Bin Drawer front will serve as the front file bar.)

Determine the location of the Lateral File Bar(s) using figure 3 as a guide. The long vertical slots may be used for standard height media (low bar position). The shorter slots are for extra tall media (high bar position).

(PLEASE NOTE: the high bar position MUST be used for the AM14-FP and AM20-FP Bin Drawers.)

Install the Lateral File Bars with the stiffening flanges **AWAY** from the media. While holding the bar above the drawer, insert one end into the desired slot. Lower the opposite end of the bar and insert it into the desired slot. Tap the bar down to seat it onto the bottom of the slots. See figure 4.

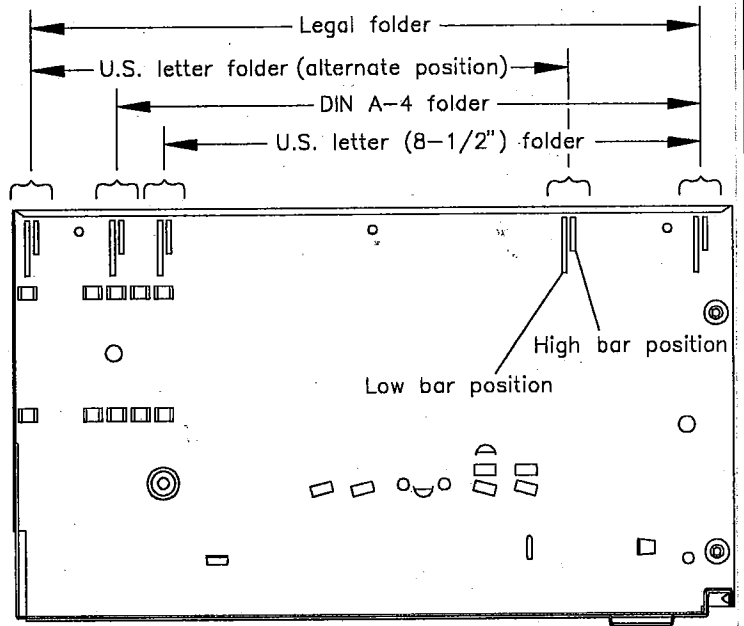


Figure 3

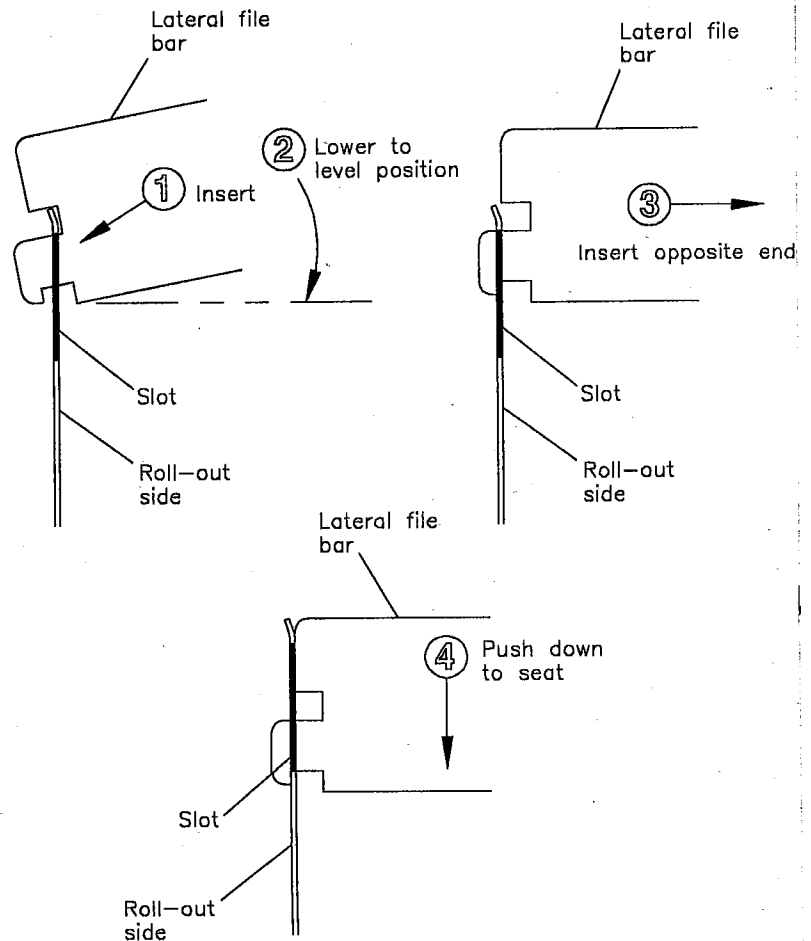


Figure 4

CENTER RAILS FOR FRONT-TO-BACK FILING

The Center Rails hang on the two lateral file bars (or in the case of a Bin Drawer, on the rear file bar and the filing lip on the Bin Drawer Front). When hung on two Lateral File Bars, the Center Rails are infinitely adjustable. When the Center Rails are used in a AM14-FP or AM20-FP Bin Drawer, slots in the bin drawer front determine various filing options. See figure 5.

TO INSTALL DRAWER INTO A CABINET

Refer to instruction sheet #66718 to install the assembled drawer into a cabinet.

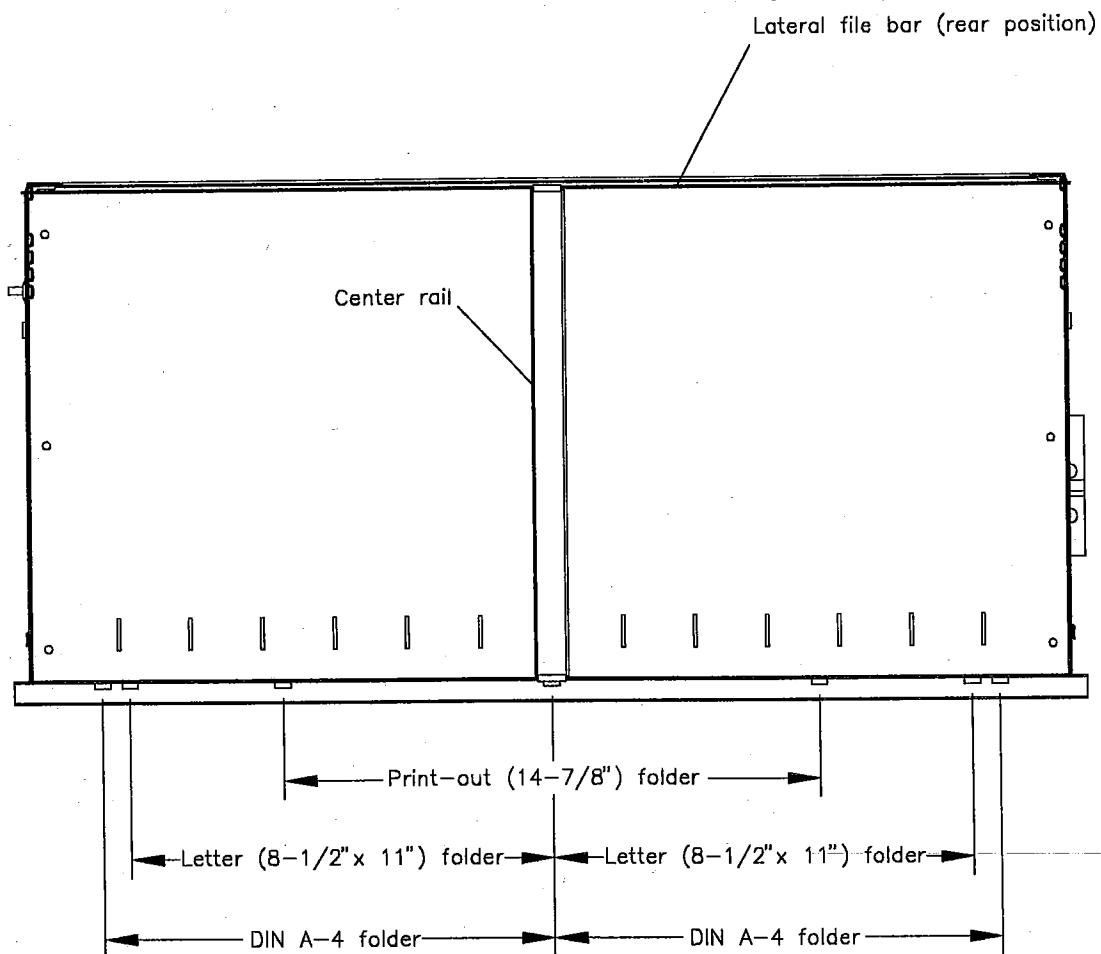


Figure 5

REPLACEMENT PARTS LIST		
PART NO.		DESCRIPTION
1	2642P	WELDMENT, UNIVERSAL ROLL-OUT
2	1184P	FRONT, BIN DRAWER-15"
	1185P	FRONT, BIN DRAWER-12"
3	1179X	BACK PANEL
4	81902	HANGER RAIL
5	66095	SUPPORT, CENTER
6	81933	EXTENDER, R.H.
7	81932	EXTENDER, L.H.
8	54055	#10 PHILLIPS HEAD SELF TAPPING SCREW
9	68374	#8 PHILLIPS HEAD SELF TAPPING SCREW
10	27157	SUSPENSION
11	81761	BRACKET, INTERLOCK CAM
12	81751	INTERLOCK CAM

